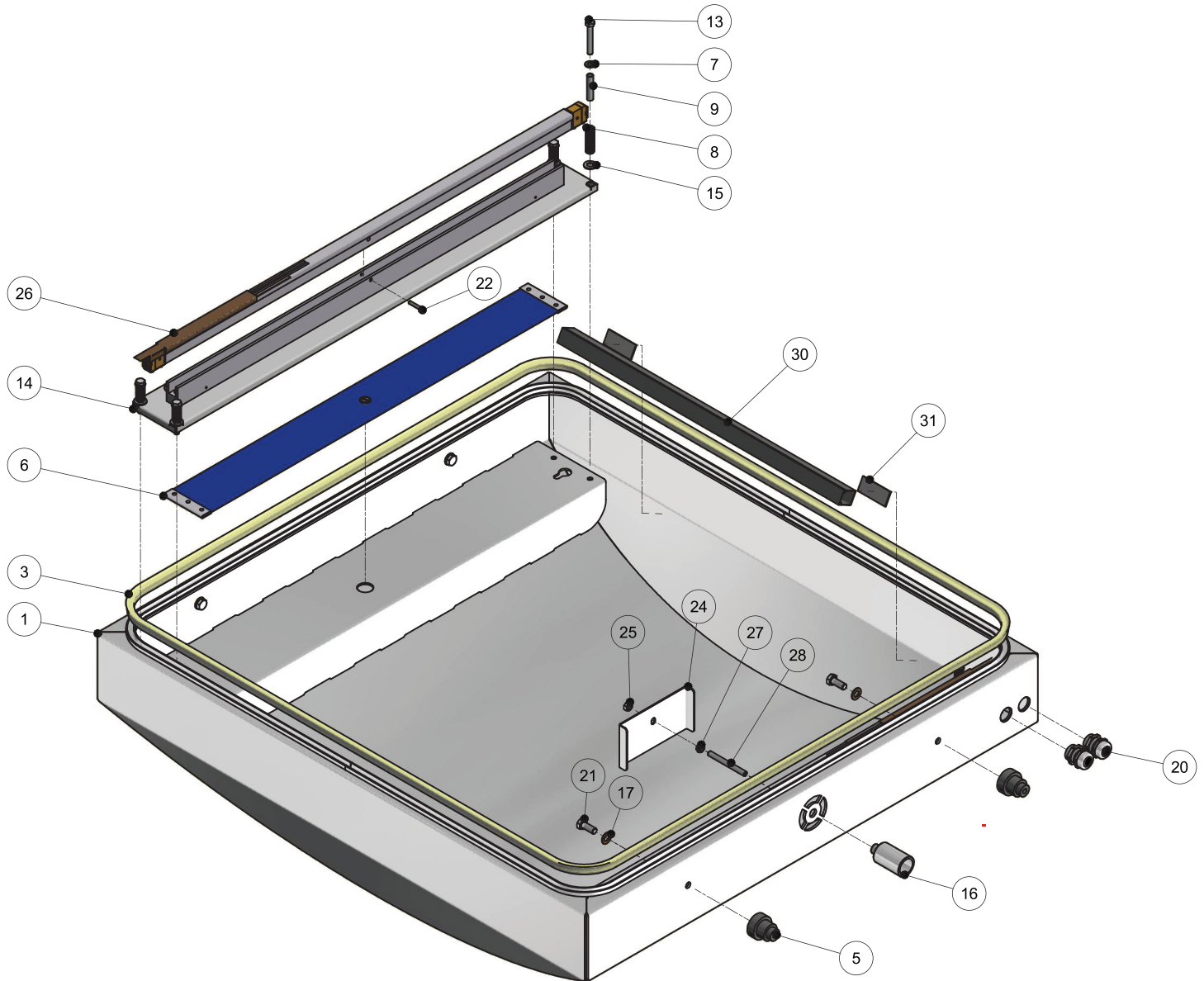


# Parts Breakdown

Model VP-NL-0300-L 50001

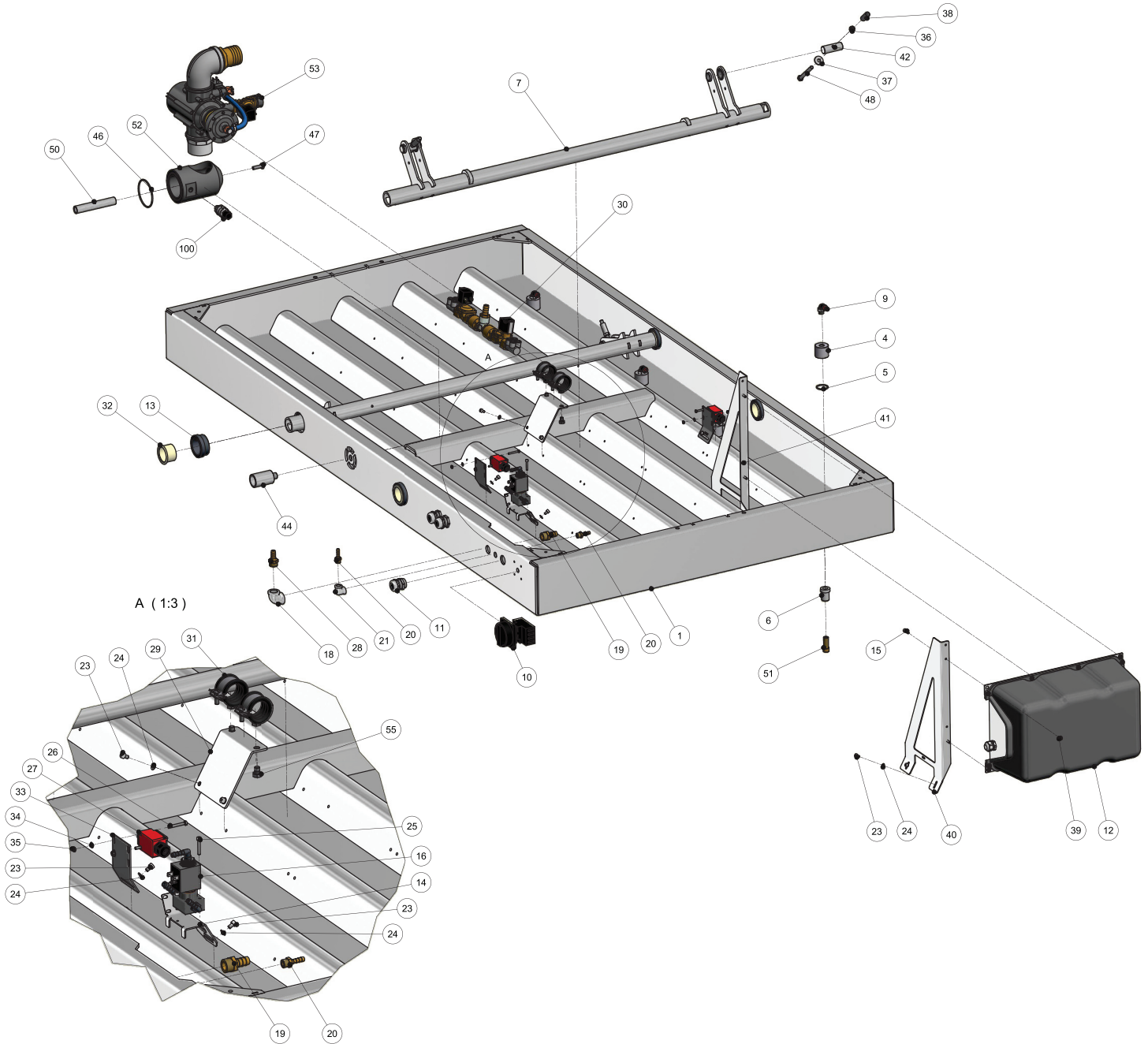
Lid



# Parts Breakdown

Model VP-NL-0300-L 50001

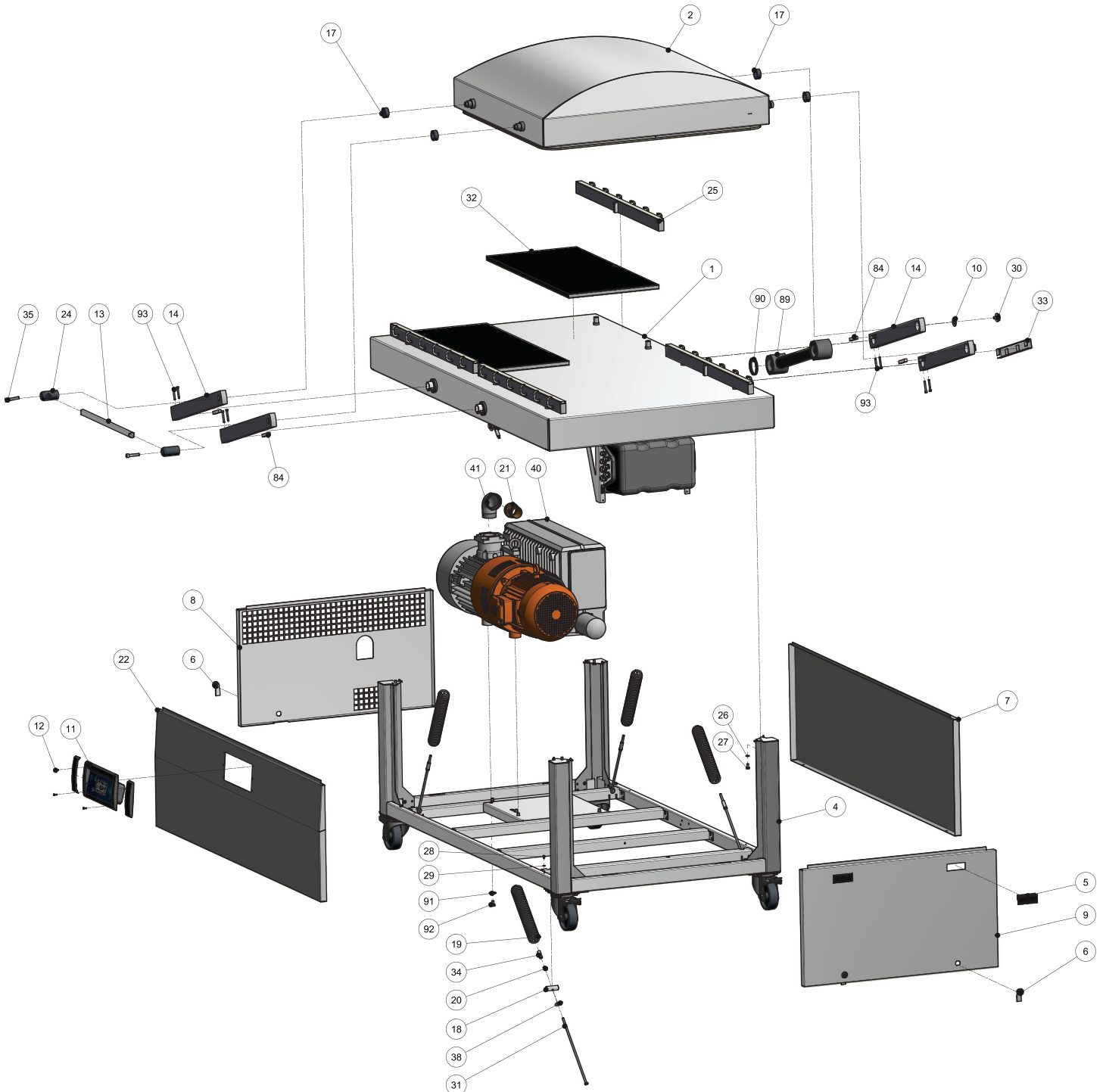
Workplate



# Parts Breakdown

Model VP-NL-0300-L 50001

Standard Assembly



# Parts Breakdown

## Model VP-NL-0300-L 50001

## Lid

Item No.	Description	Position	Item No.	Description	Position	Item No.	Description	Position
62689	Lid for 50001	1	62746	Seal Mechanism D4 Assembly for 50001	14	27814	Hexagon Nut M8 DIN934 A2 for 50001	25
62742	Silicone Profile HD Model III 80 Deg Shore-A for 50001	3	35447	Castle Washer M10 for 50001	15	62748	Sealbeam A1060 Double Seal for 50001	26
65680	Tap Lid DA for 50001	5	62734	Bearing Busch Manifold DA for 50001	16	35537	Self Locking Hexagon Nut M8 DIN985 A2 for 50001	27
62744	Sealzak E-493/E503/A-5000 for 50001	6	35948	Castle Washer Red Copper M10 for 50001	17	62749	Din 916 - M8x80 Hexagon Socket Set Screw for 50001	28
35372	Castle Washer M8 for 50001	7	35831	Cable Gland M25x1.5 Brass for 50001	20	35936	Cable Channel 25x30 for 50001	30
35919	Compression Spring Seal Mechanism for 50001	8	35941	Hexagon Screw M10x25 DIN933 A2 for 50001	21	62750	Acryltape Dubbelzijdig 25mm, L60mm for 50001	31
35940	Tube STST 10x1x45mm for 50001	9	35469	Hex.Socket Head Cap Screw M5x25 DIN912 A2 for 50001	22			
62745	ISO 4017 - M8x55 for 50001	13	62747	Cover for Suction Hole for 50001	24			

## Workplate

Item No.	Description	Position	Item No.	Description	Position	Item No.	Description	Position
62688	Workplate for 50001	1	29997	Brass Hose Coupling 1/4x6 EXT. for 50001	20	35219	Flat Washer M8 D9021 A2 for 50001	37
35507	Holing Block Siliconholder HD-03 for 50001	4	62725	Knee 1/4 F-F 90Deg AISI316 for 50001	21	35531	Pipe 13x1.5x34mm Stainless Steel 304 for 50001	38
35364	O-Ring 27x2.5 for 50001	5	35272	Hex.Socket Head Cap Screw M5x8 DIN912 A2 for 50001	23	27782	Hexagon Flangenuit M5 DIN6923 A2 for 50001	39
35821	Spacer Sil.Holder Gas 6mm for 50001	6	35214	Castle Washer M5 for 50001	24	62732	Mounting Bracket Switch Box POS1 for 50001	40
62716	D4 Parallel-Axle for 50001	7	62726	ISO 4762 - M4x25 Hexagon Socket Head Cap Screw for 50001	25	62733	Mounting Bracket Switch Box POS2 for 50001	41
62717	Elbow Screw Coupling G 1/4x8 for 50001	9	62727	M4x30 Slotted Cheese Head Screw for 50001	26	35534	Spring Axle Double Chamber for 50001	42
62718	Hoofdschakelaar H220-SE5494 (25A 3-POLIG) for 50001	10	35468	Limit Switch with Cable for 50001	27	62734	Bearing Busch Manifold DA for 50001	44
35831	Cable Gland M25x1.5 Brass for 50001	11	35248	Hose Coupling 1/2x10 EXT. for 50001	28	62735	O-Ring 70x3mm for 50001	46
62719	Switchbox Model-I SC-DC for 50001	12	62728	Support for Gas Supply Unit DA for 50001	29	62736	ISO 4017 - M8x25 for 50001	47
62720	Bearing Busch DA for 50001	13	62729	Gas Supply Unit DA for 50001	30	62737	ISO 4017 - M8x80 for 50001	48
62721	Universal Bracket DA for 50001	14	35961	Suspension Clip BSA-8/29/33 for 50001	31	62738	Mounting Pin Adapter Manifold DA for 50001	50
35481	Hex.Socket Head Cap Screw M5x16 DIN912 A2 for 50001	15	62730	Bearing 40x30 for 50001	32	35365	Mounting Screw Holing Block HD-03 for 50001	51
62722	3-2 Valve DC-XL Assembly for 50001	16	62731	Da Montagesteun Eindschakelaar R2 for 50001	33	62739	Adapter for Manifold D4 for 50001	52
62723	Schakelnok DA R2 for 50001	17	35433	Castle Washer M4 for 50001	34	62740	Vacuum Valve D4 for 50001	53
62724	Knee 1/2 90 F-F AISI 316 for 50001	18	35411	Hexagon Nut M4 DIN934 A2 for 50001	35	35220	Hexagon Screw M8x10 DIN933 A2 for 50001	55
35841	Brass Hose Coupling 1/2x13 EXT. for 50001	19	27814	Hexagon Nut M8 DIN934 A2 for 50001	36	62741	Vacuum Transmitter with Earth Connection for 50001	100

# Parts Breakdown

**Model VP-NL-0300-L 50001**

**Standard Assembly**

Item No.	Description	Position	Item No.	Description	Position	Item No.	Description	Position
62688	Workplate for 50001	1	35534	Spring Axle Double Chamber for 50001	18	62708	Kabeldoorboer Parallelstang for 50001	33
62689	Lid for 50001	2	62700	Pull Spring D4 for 50001	19	35531	Pipe 13x1.5x34mm Stainless Steel 304 for 50001	34
65739	Frame for 50001	4	27814	Hexagon Nut M8 DIN934 A2 for 50001	20	62709	M10x50 Cylinder Head Cap Screw DIN 912 for 50001	35
35976	Handle Flat ABS Black for 50001	5	62701	Brass Coupling 2x50 EXT for 50001	21	35219	Flat Washer M8 D9021 A2 for 50001	38
62692	Compression Locker E5-6-012-YY1 for 50001	6	62702	Beplating D4 Voor for 50001	22	62710	RA_0302_D for 50001	40
62693	Beplating D4 Achter for 50001	7	62703	Montagebus Handvat DA for 50001	24	62711	Elbow 2" BI/BU RVS for 50001	41
62694	Plating Pump Side D4 for 50001	8	62704	Silicon Bar for 50001	25	62712	Borgplaat Parallelstang R2 for 50001	84
62695	Beplating D4 Schakelkast for 50001	9	35236	Spring Ring M8 DIN127 A2 for 50001	26	62713	Suction Tube GK293 Assembled for 50001	89
35909	Skiffy Ring 21x37x3mm for 50001	10	35211	Hexagon Screw M8x16 DIN933 A2 for 50001	27	62714	V-Ring Type V-070-A for 50001	90
45858	Control Panel (Holder Wide + PCB/TV/1-PROG) for 50001	11	35272	Hex.Socket Head Cap Screw M5x8 DIN912 A2 for 50001	28	27827	Flat Washer M10 D9021 A2 for 50001	91
30026	Slott.Rais.Counter.Head Screw M4x12 DIN7985 A2 for 50001	12	35214	Castle Washer M5 for 50001	29	35444	Hexagon Screw M10x16 DIN933 A2 for 50001	92
62697	Handgreep D4 for 50001	13	62705	Blokkeerbout Parallelstang DA for 50001	30	62715	M6x45 Hexagon Socket Head Screw ISO4762 for 50001	93
62698	Parallelstang D4 R2 for 50001	14	62706	Zesk.Tapbout M8350 for 50001	31			
35437	Bearing Cover Doublechamber for 50001	17	62707	Insertplate D4 for 50001	32			